



DESIGN INTENT

APRIL 2010

Design Development

Copyright © 2010 Design Intent CO.

Tracy Aviary

South American Pavilion Signage & Species Long-Term Signage



BLUE SKY

Deadline Date

**CONCEPT
DEVELOPMENT**

Deadline Date

**SCHEMATIC
DESIGN**

Deadline Date

**DESIGN
DEVELOPMENT**

Deadline Date

CONTRACTING

Deadline Date

PRODUCTION

Deadline Date

INSTALLATION

Deadline Date

South American Pavilion
Opening Sign Banner



FOR MORE INFO

1	EXH	12
---	-----	----

Southern Ground Hornbill
Interactive Sign



FOR MORE INFO

1	EXH	11
---	-----	----



1 **Aviary Site Plan**
EXH01 Scale: NTS

South American Pavilion
Themes Entry Sign



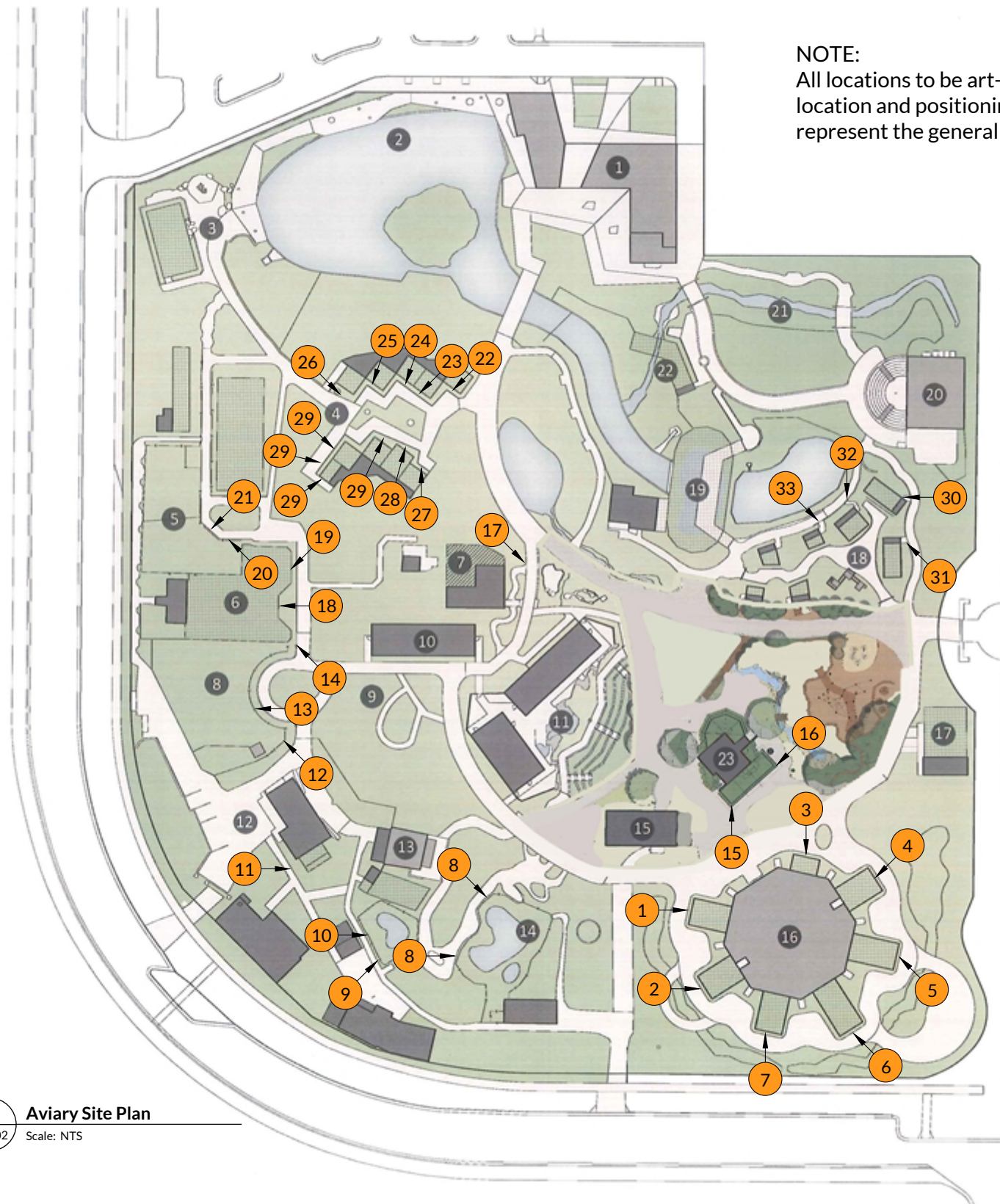
FOR MORE INFO

1	EXH	08
---	-----	----

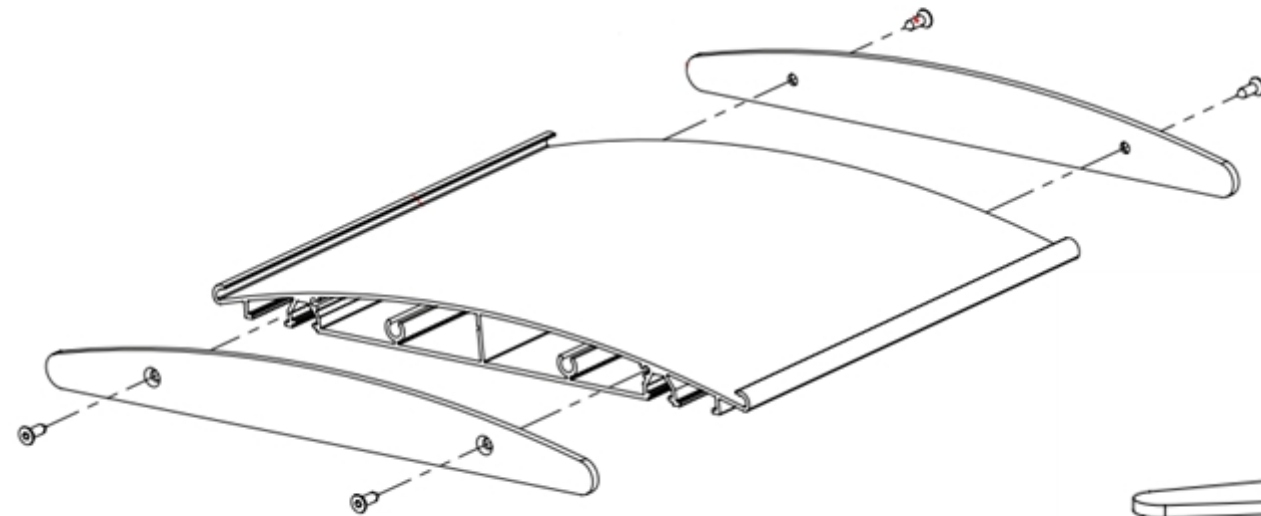


REFERENCE NOTES	
1	Keel-billed Toucan
2	Elegant crested Tinamou
3	Blue-headed Tanager (same as turquoise tanager?)
4	Golden Tanager
5	Swallow Tanager
6	Violaceous Euphonia
7	Red-legged Honeycreeper
8	Golden-headed Manakin
9	Blue Dacnis
10	Turquoise Tanager (Tangara Mexicana)
11	Rufous-breasted Quail Dove (Chiriqui quail dove)
12	Scarlet Ibis
13	Crested Oropendola
14	Wattled Jacana
15	Sunbitterns
16	Grey-necked Wood Rail (Aramides cajanea)
17	Hawk-headed Parrot
18	Spangled Cotinga
19	Jamaican Crested Quail dove
20	White-tailed Trogon
21	Paradise Tanager
22	Red capped Cardinal
23	Rufous-breasted Quail Dove (Chiriqui quail dove)
24	Green Aracari
25	Helmeted Curassow
26	Blue-crowned Motmot
27	Black-spotted Barbet
28	Yellow-rumped Cacique
29	Pompadour Cotinga
30	Blue-gray Tanager
31	Elegant crested Tinamou
32	Troupial (Icterus icterus)

NOTE:
All locations to be art-directed as to the exact location and positioning of each sign. These represent the general location of each sign



1 Aviary Site Plan
EXH02 Scale: NTS



1 Vista V-Letter Parts
EXH03 Scale: NTS

All sign graphics to be printed on white, 3mm Sintra Board. This will provide a simple way to continue to swap, update, and relocate signage throughout the Aviary.

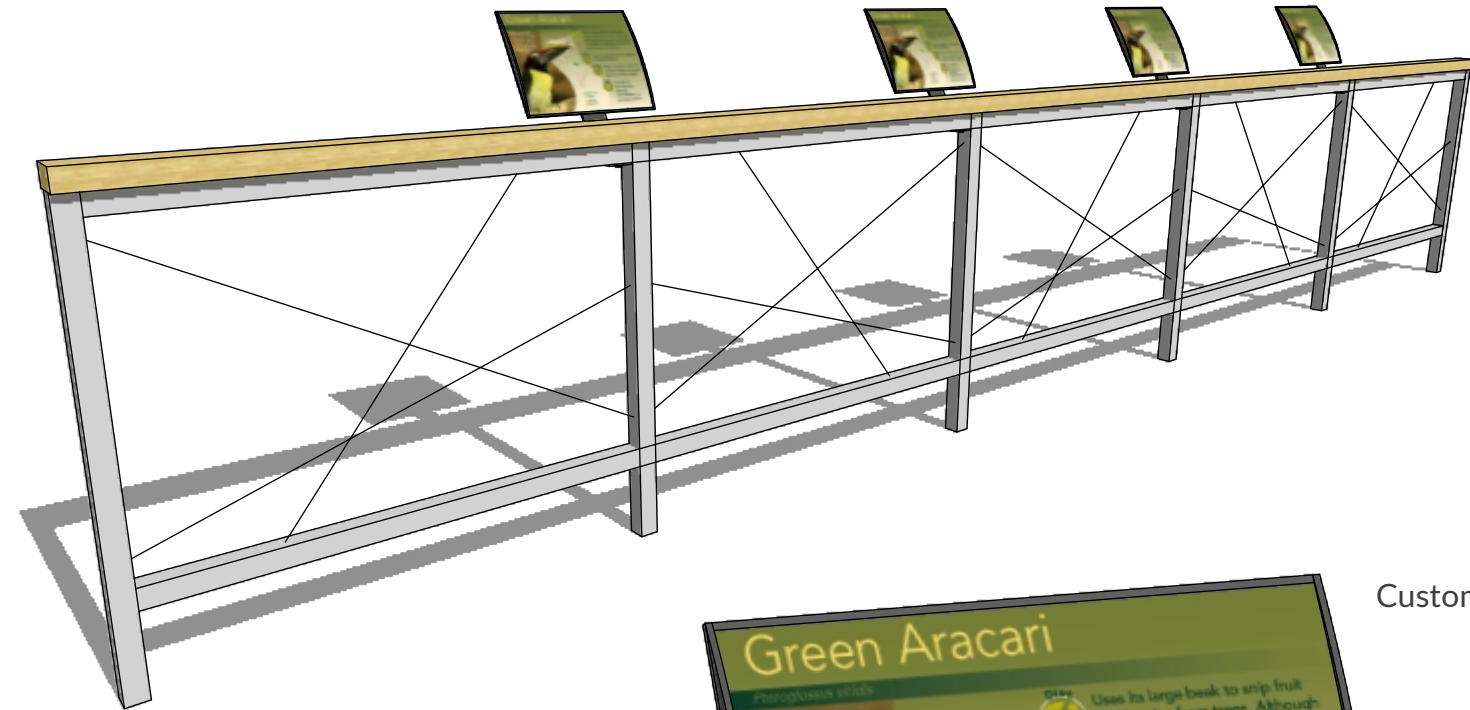


NOTE:
175 total V-Letter 8.5" x 11" frames to be purchased from Vista Systems. After some negotiations Vista Systems agreed to allow for a reduced price for all signs, after consideration of the Aviary's non-profit status.

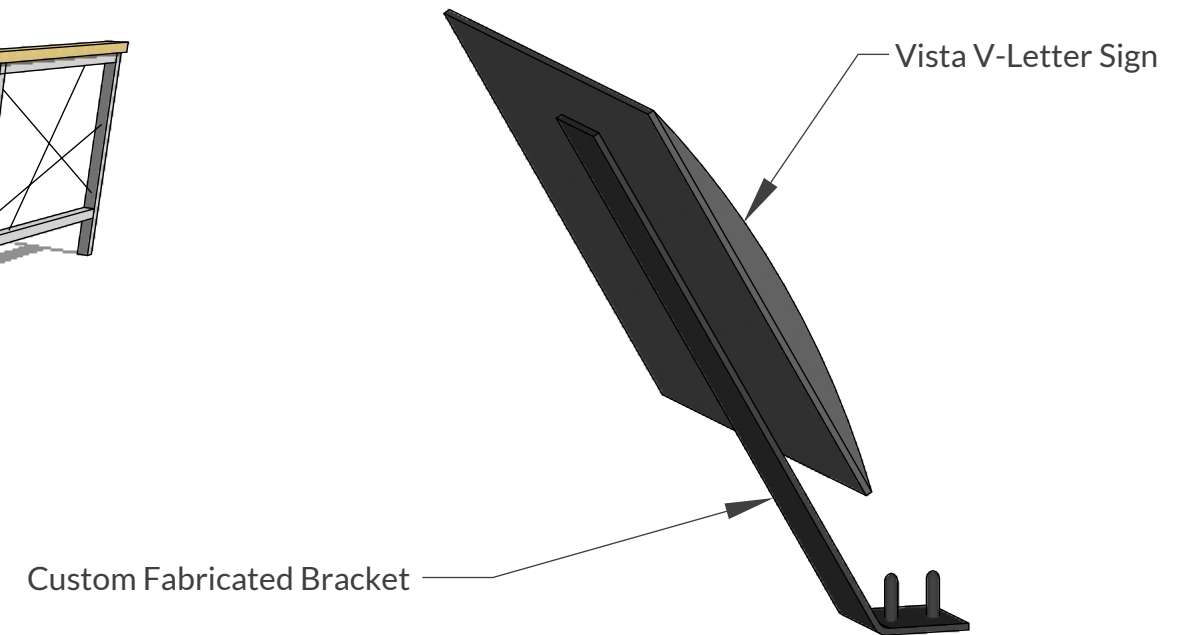


Sign Insert
Printed on 3mm Sintra

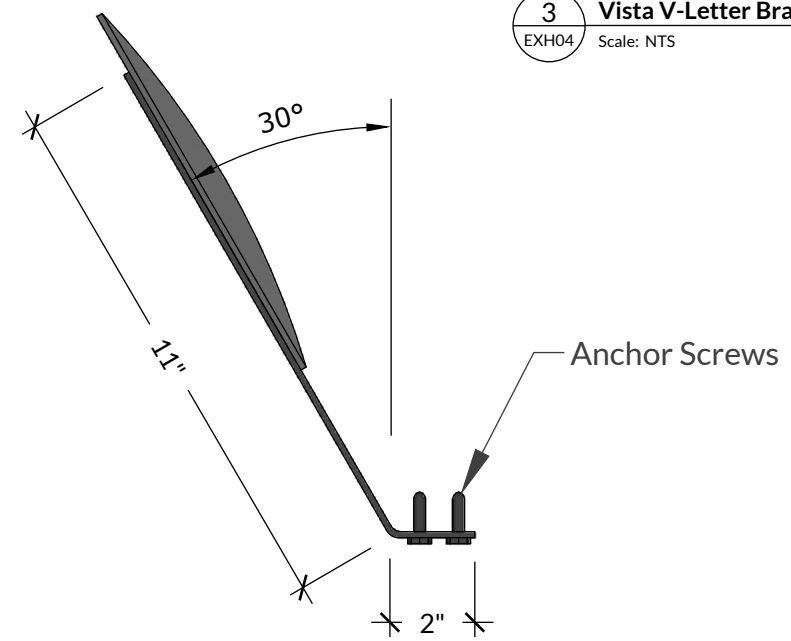
2 Vista V-Letter Parts
EXH03 Scale: NTS



1 Vista V-Letter Bracket
EXH04 Scale: NTS



3 Vista V-Letter Bracket
EXH04 Scale: NTS



2 Vista V-Letter Bracket
EXH04 Scale: NTS

Icon Row

Aviary Name

Green Aracari

Species

Pteroglossus viridis

Did you know?
An aracari is a type of toucan. This aracari is one of the smallest birds in its family.

Diet Uses its large beak to snip fruit and berries from trees. Although its beak looks heavy, it is actually quite light. It will also sometimes eat flowers and insects.

Habitat Found in groups in the treetops of tropical forests.

Nesting Nests in ready-made tree cavities where the female lays 2 to 4 white eggs.

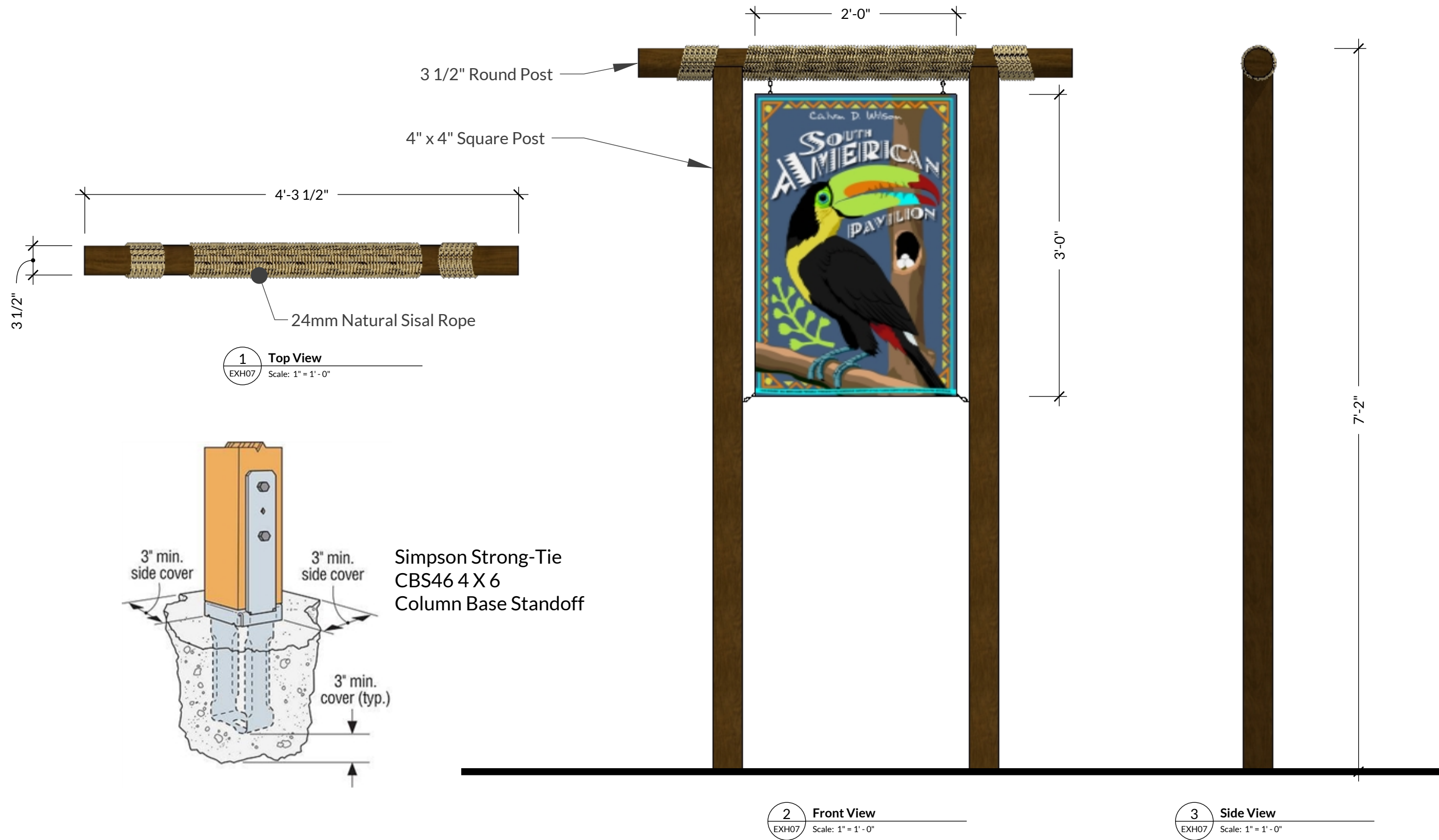
Status Considered least concern, although deforestation is a growing problem.

■ Year Round
■ Winter
■ Summer
■ Migration

Image & Fact Map Location Facts/Info



1 Context Photograph
EXH06 Scale: NTS

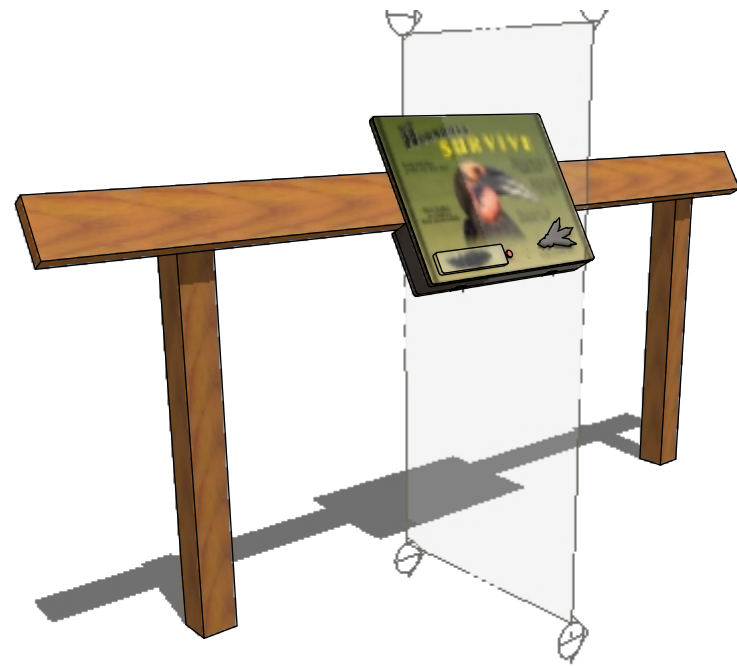




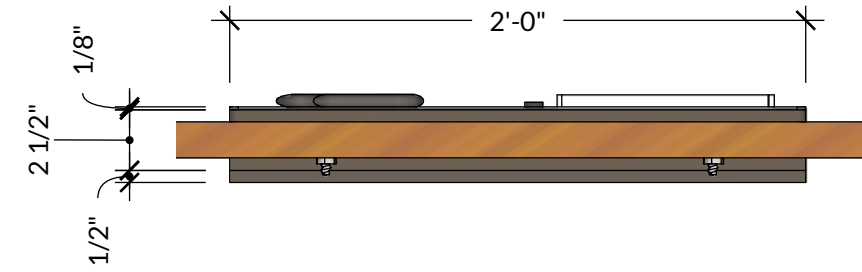
2' x 3' Metal exterior sign. To be printed and fabricated off-site. Aluminum composite material to be used.

South American Pavilion: Final Approved signage graphic

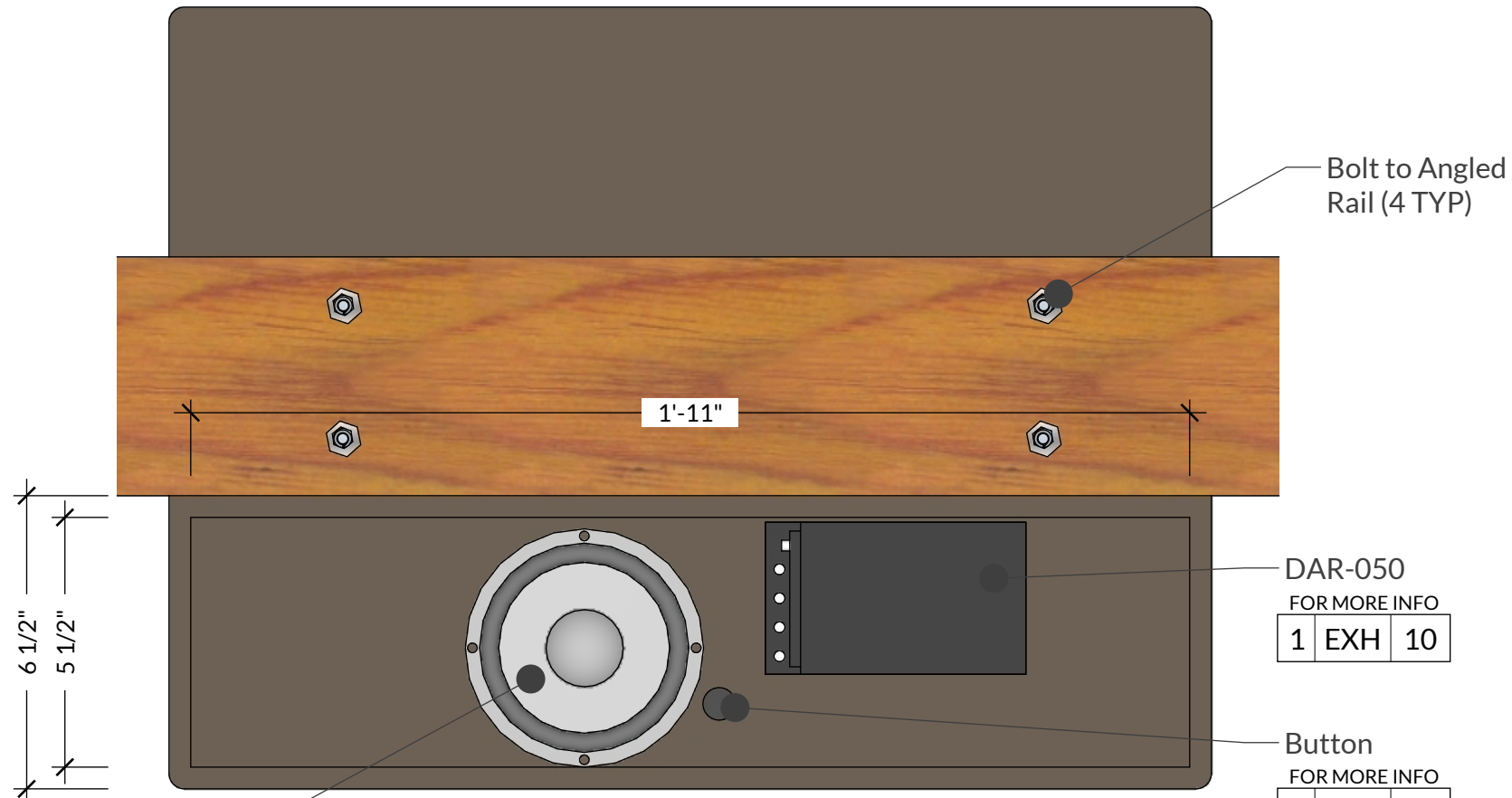
1 Top View
EXH08 Scale: 1" = 1'-0"



1 Graphic Face View
EXH09 Scale: 1 1/2" = 1' - 0"

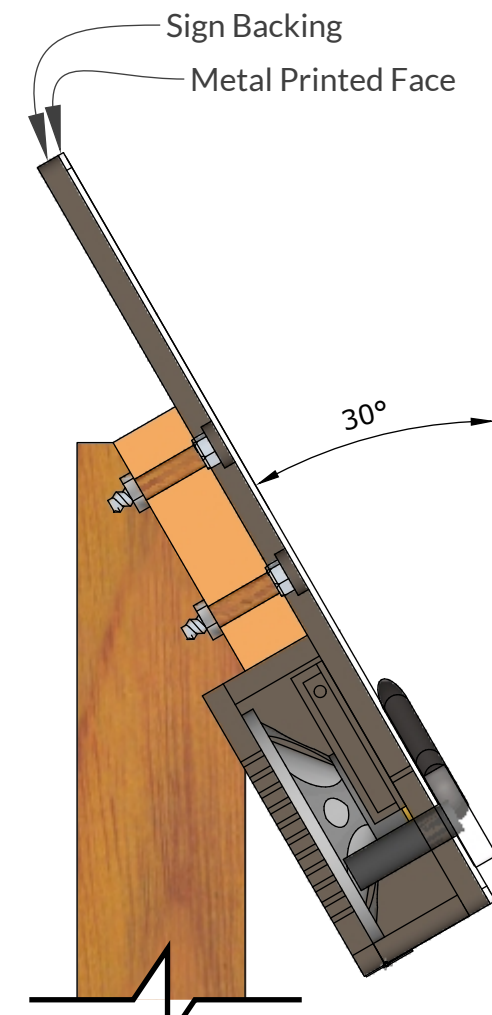


2 Back Face View
EXH09 Scale: 1 1/2" = 1' - 0"



2 EXH 10

3 Back Open Face View
EXH09 Scale: 3" = 1' - 0"



4 Side Section View
EXH09 Scale: 3" = 1' - 0"



- Features**
- Single Message
 - Up to 1 minute 50 seconds
 - On-Site Recordable / Re-recordable
 - Nonvolatile FLASH Memory
 - Incredible Fidelity
 - 6 Watt Speaker Output
 - Built-In PowerSaver Features
 - 5 Year 'Gold Seal' Warranty

- Applications**
- Exhibits / Kiosks / Dioramas
 - Interactive Multimedia
 - Interpretive Tours / Announcements
 - Multiple Languages
 - Background Ambience / Soundscapes



6" Weather-Resistant Outdoor/ Indoor Dual Tweeter Stereo In-Ceiling Speaker, Single - ICE600TTWRSs

2 Speaker
EXH10 Scale: NTS

The Digital Audio Recorder Model DAR-050 from Stop and Listen digitally records, stores, and plays back one message of up to 110 seconds duration. The message can be changed in moments with no special training or equipment required - just hook up a source, press record, and your message is loaded into maintenance-free digital memory. You can record from CD's, tape decks, from your PC: almost anything with an audio output.

Playback is started with any contact closure, whether it's a visitor push-button, motion sensor, or almost any other triggering device. Messages can also be set for continuous play mode, making the DAR-050 an ideal choice for background music and ambient soundscapes. It's compact size fits anywhere, it's solar compatible and suitable for both indoors and out.

The DAR-050 is packed with all the right features to make your exhibit a success, including our 5 year 'Gold Seal' warranty. Every unit comes fully loaded with memory, built-in amplifier, a 12 volt power supply and a full set of audio patch cords. Just add a speaker and a button and it's ready to roll!

1 Digital Audio Recorder
EXH10 Scale: NTS



Push Button Operator, Plastic, Momentary Push, Black, 1, 13, 2, 3, 4, 4X NEMA Rating

3 Button
EXH10 Scale: NTS



2' x 3' Metal exterior sign. To be printed and fabricated off-site. Aluminum composite material to be used.

Southern Ground Hornbill: Final Approved signage graphic

1 Graphic Face View
EXH11 Scale: NTS



4' 8" x 7' Banner located at the aviary entrance. To be hung on the exterior fence. Possibly two different locations in order for the most exposure

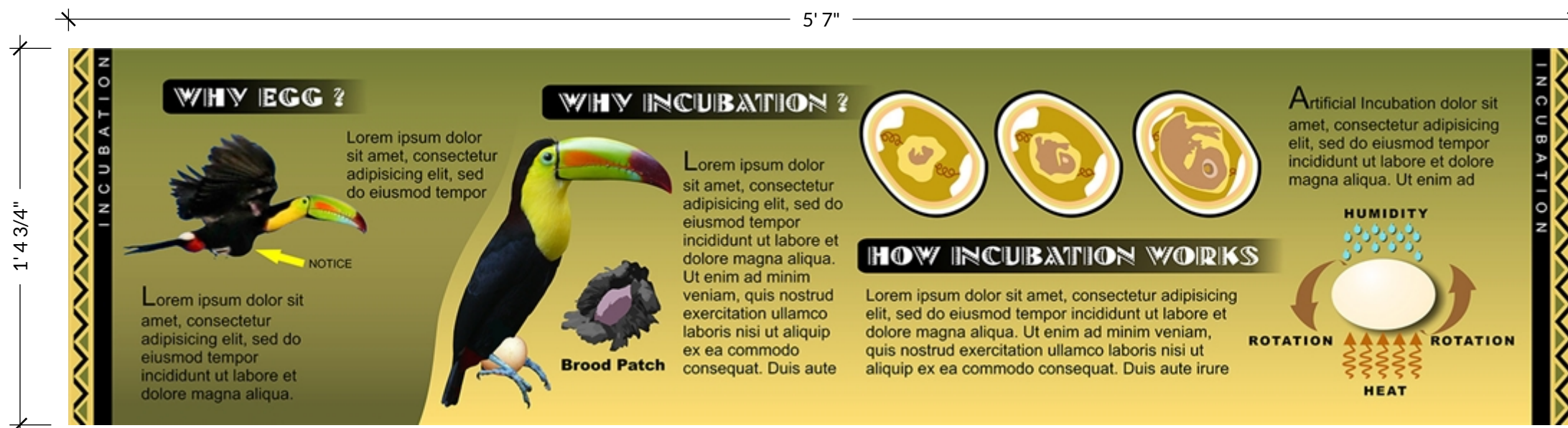
South American Pavilion Banner: Final Approved signage graphic

1 Graphic Face View
EXH12 Scale: NTS

NOTE:
Backlit sign. Inserted into light box. Photo quality on backlit film. Deep vivid color for stunning effect. A protective laminate is applied for maximum durability. The film is translucent and printed in full color.



1 Graphic Face View
EXH13 Scale: NTS



2 Graphic Face View
EXH13 Scale: NTS